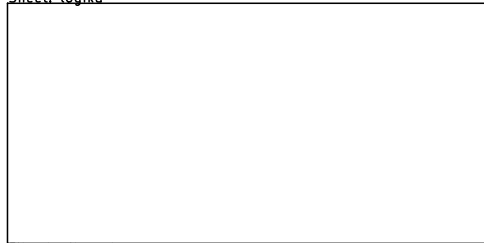




Photo by Old Crap Vintage Computing
<https://oldcrap.org/2021/11/30/timex-fdd-3-piece/>

Sheet: logika



File: logika.sch

Sheet: pamieć



File: pamiec.sch

This unit use SCLD logic by Thompson/NPC

Verified against real unit PCB

Copyright by TIMEX Portugal

Sheet: /
File: fdd3.sch

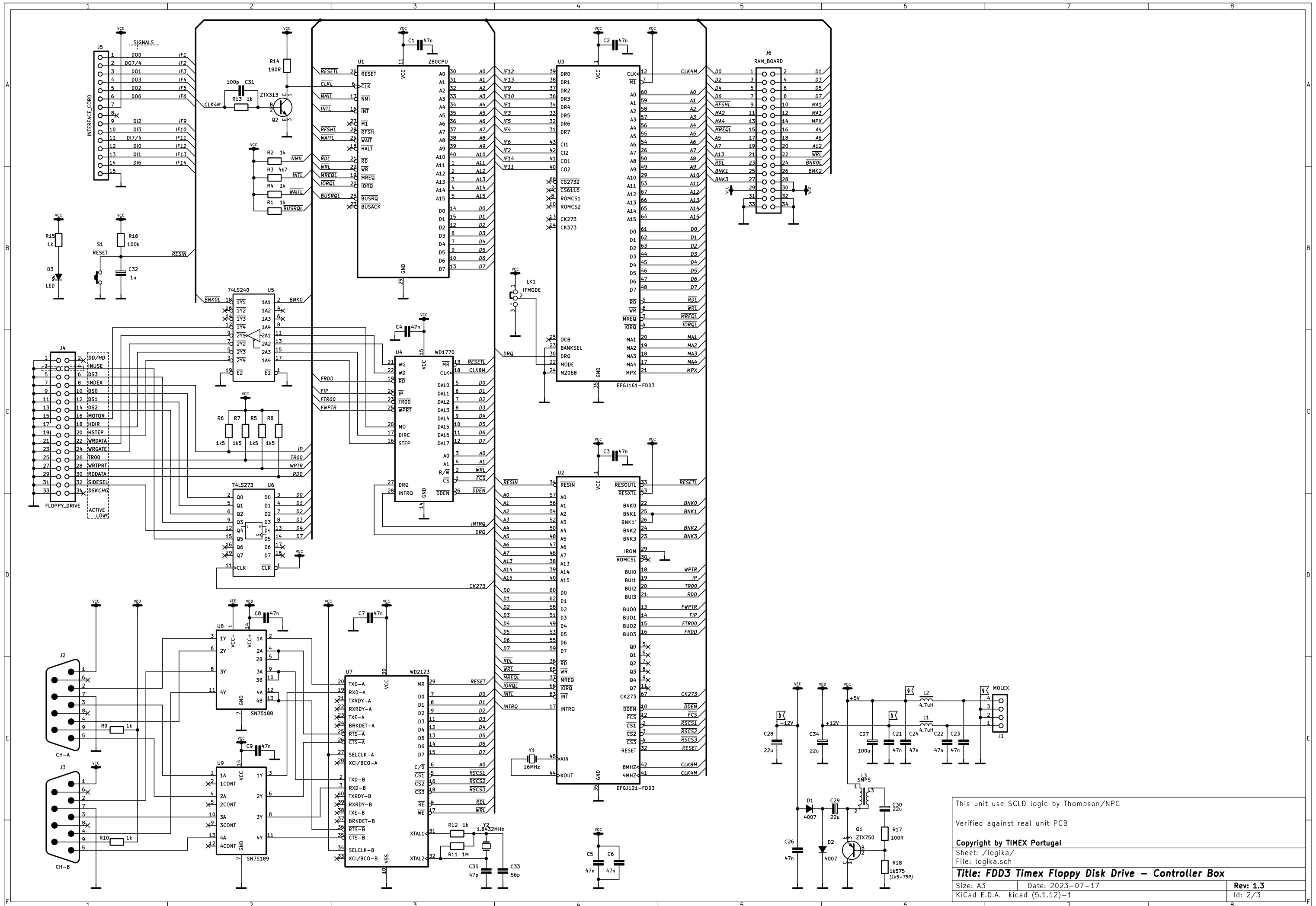
Title: FDD3 Timex Floppy Disk Drive – Controller Box

Size: A4 Date: 2023-07-17

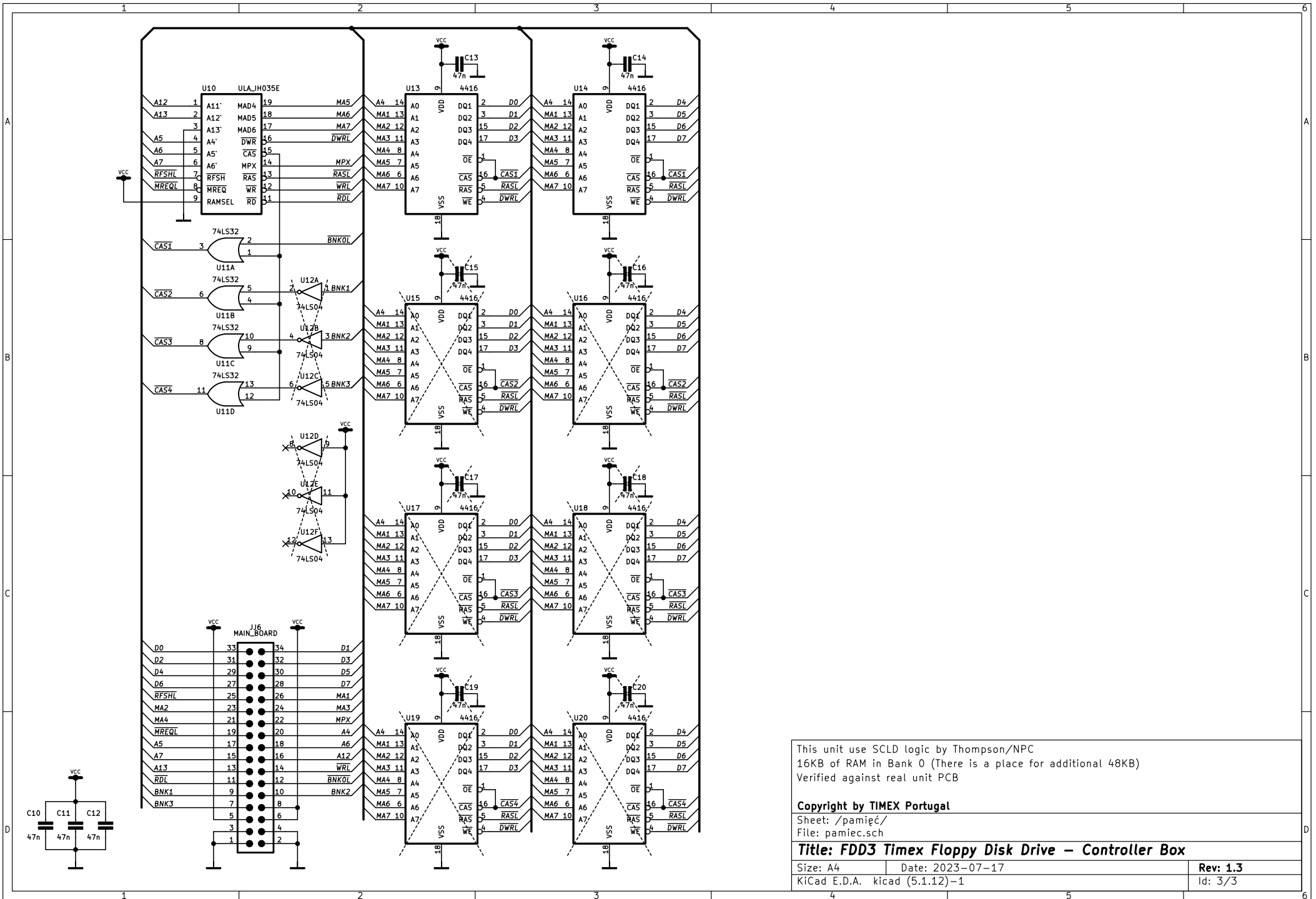
KiCad E.D.A. kicad (5.1.12)-1

Rev: 1.3

Id: 1/3



This unit use SCLD logic by Thompson/NPC
 Verified against real unit PCB
 Copyright by TIMEX Portugal
 Sheet: /logika/
 File: logika.sch
Title: FDD3 Timex Floppy Disk Drive – Controller Box
 Size: A3 Date: 2023-07-17 Rev: 1.3
 KiCad E.D.A. kicad (5.1.12)–1 Id: 2/3



This unit use SCLD logic by Thompson/NPC
 16KB of RAM in Bank 0 (There is a place for additional 48KB)
 Verified against real unit PCB

Copyright by TIMEX Portugal

Sheet: /pamięć/
 File: pamiec.sch

Title: FDD3 Timex Floppy Disk Drive – Controller Box

Size: A4 Date: 2023-07-17

Rev: 1.3

KiCad E.D.A. kicad (5.1.12)-1

Id: 3/3