

TIMEX COMPUTER

Timex FDD 3000

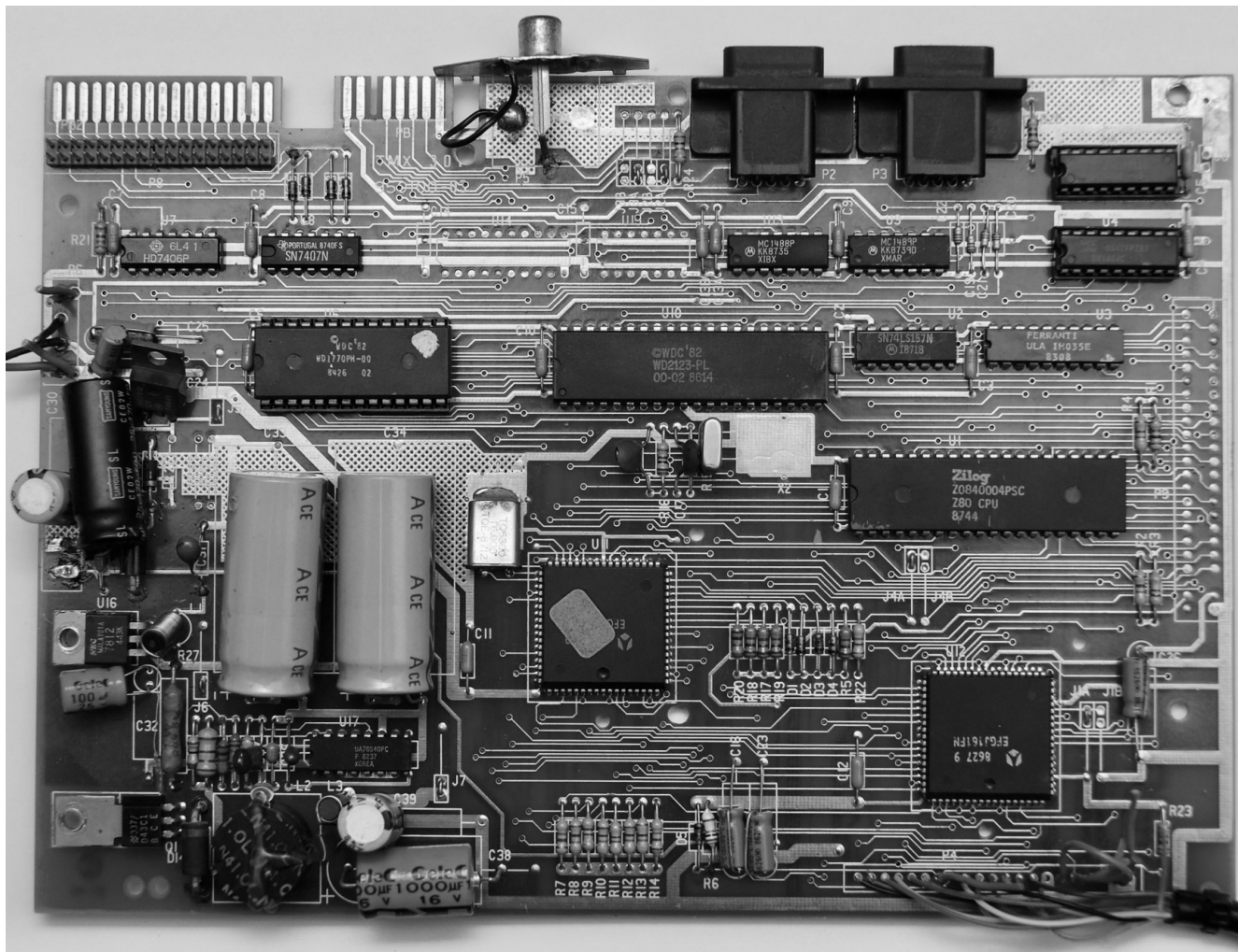


Table to content:

Logic:
File: 2023_05_FDD3000_1of2.sch

Power supply and connectors:
File: 2023_05_FDD3000_2of2.sch

Photo source:
<https://oldcrap.org/2021/02/24/timex-fdd-3000/>

Sources and references:
- Timex Computer FDD3000 Service Manual
- <https://oldcrap.org/2021/02/24/timex-fdd-3000/>
- <http://8bit.yarek.pl/computer/timex.fdd3000/>

Redrawn from scans available on the Internet

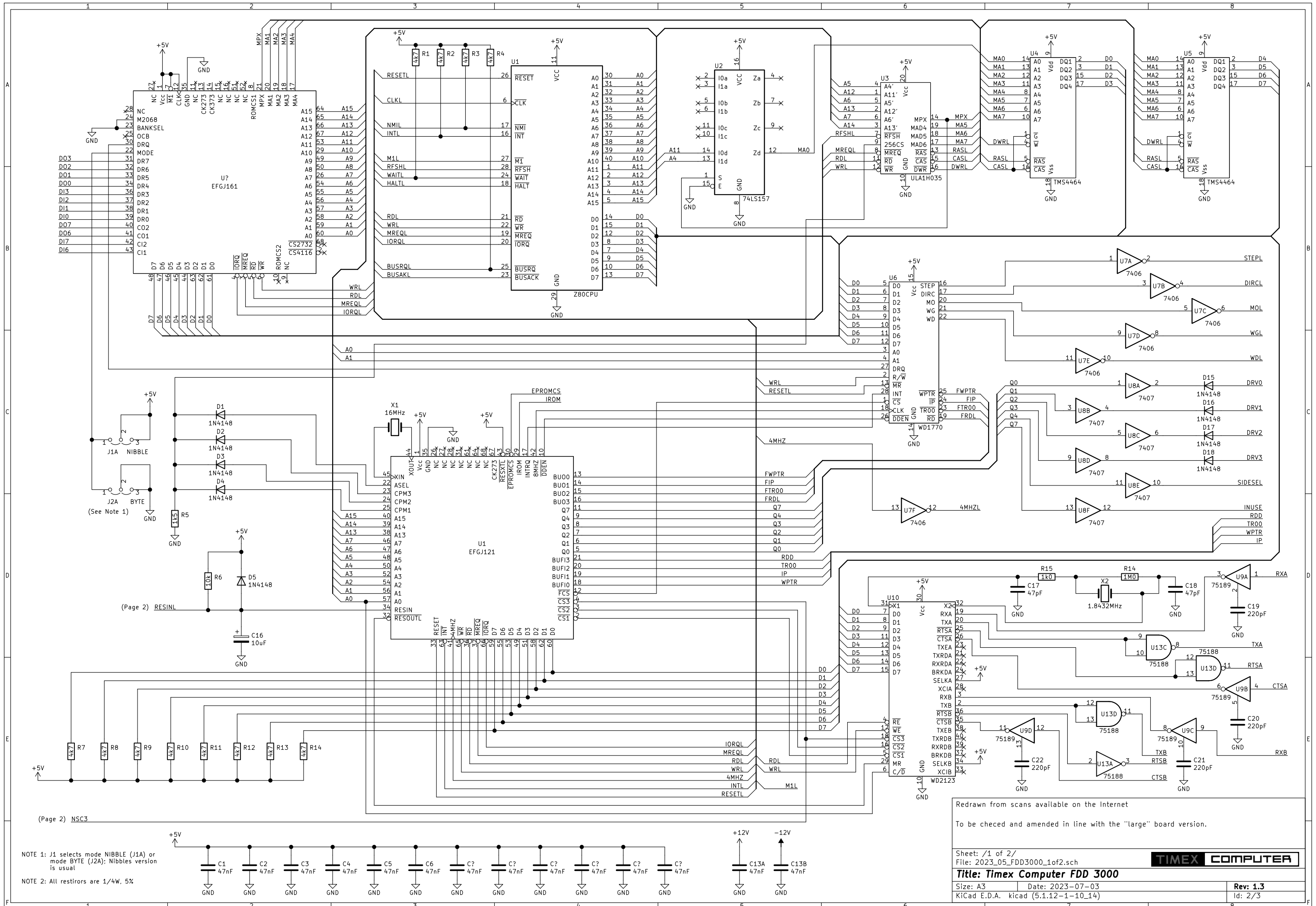
To be checked and amended in line with the "large" board version.

Sheet: /
File: 2023.05 FDD3000.sch

Title: Timex Computer FDD 3000

Size: A4 Date: 2023-07-03
KiCad E.D.A. kicad (5.1.12-1-10_14)

Rev: 1.3
Id: 1/3



Redrawn from scans available on the Internet
 To be checked and amended in line with the "large" board version.

Sheet: /1 of 2/
 File: 2023_05_FDD3000_1of2.sch

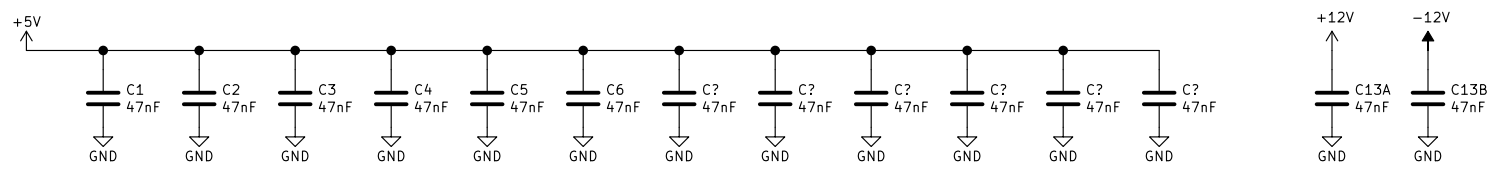
TIMEX COMPUTER

Title: Timex Computer FDD 300

Size: A3 Date: 2023-07-03 Rev: 1.3
 KiCad E.D.A. kicad (5.1.12-1-10_14) Id: 2/3

NOTE 1: J1 selects mode NIBBLE (J1A) or mode BYTE (J2A). Nibbles version is usual

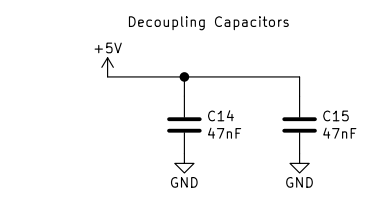
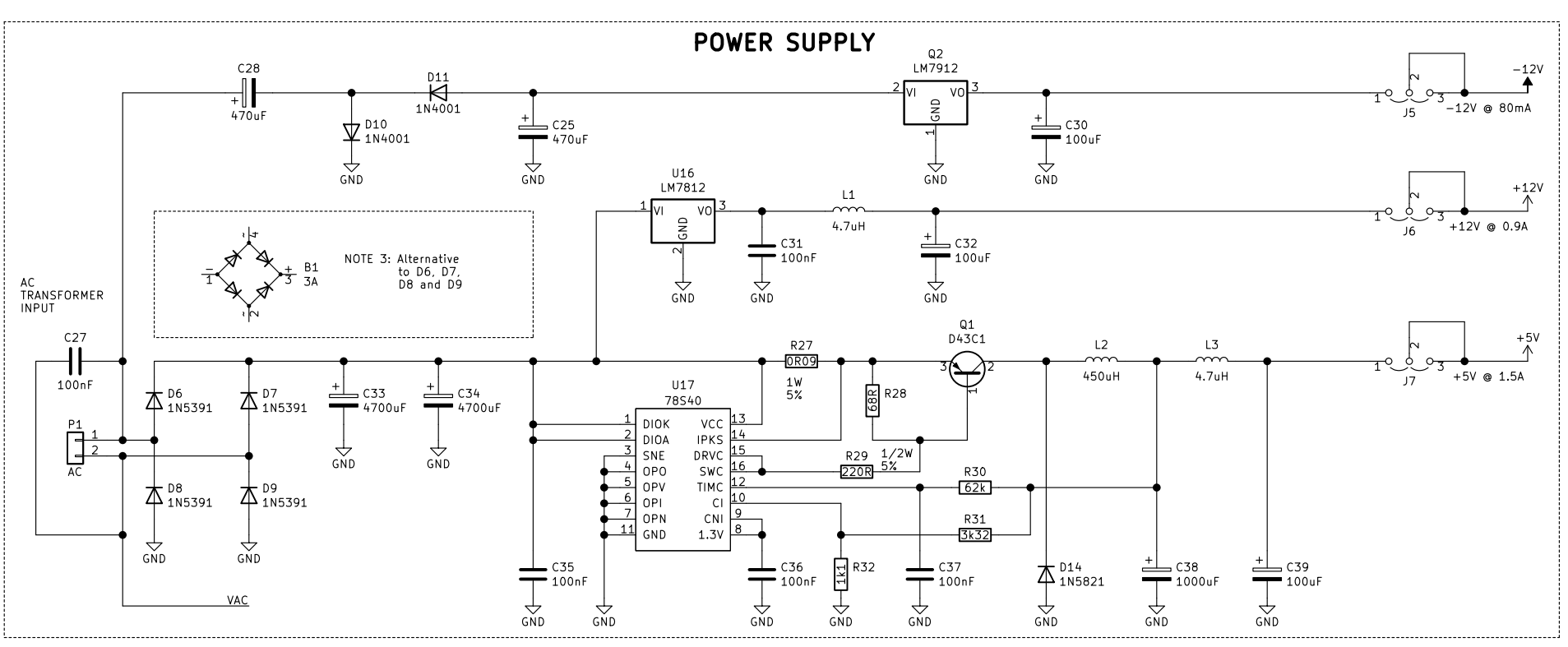
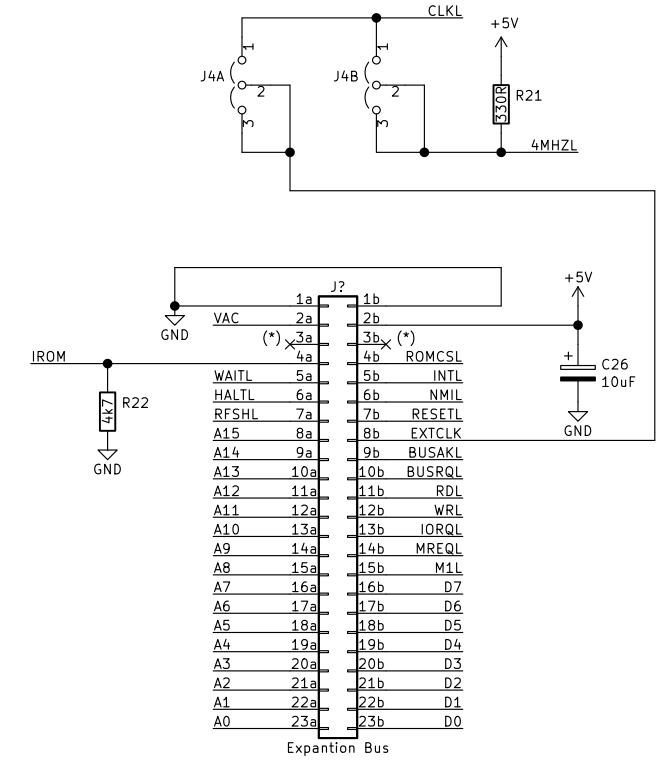
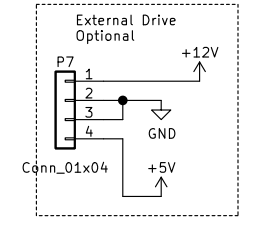
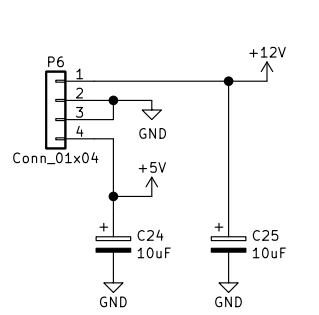
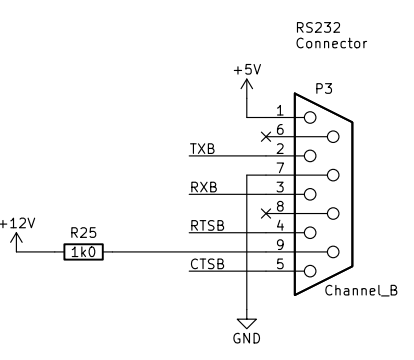
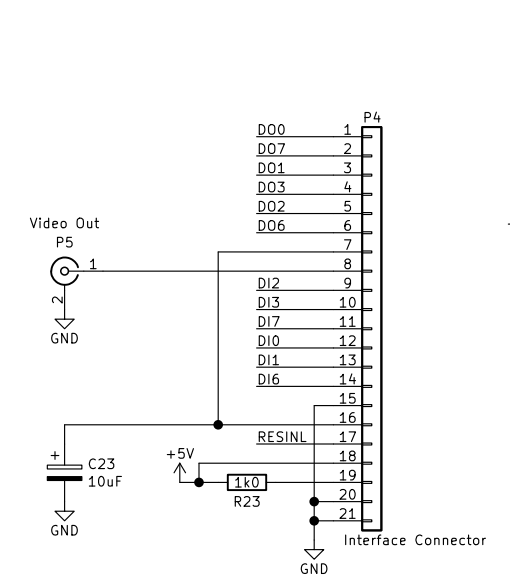
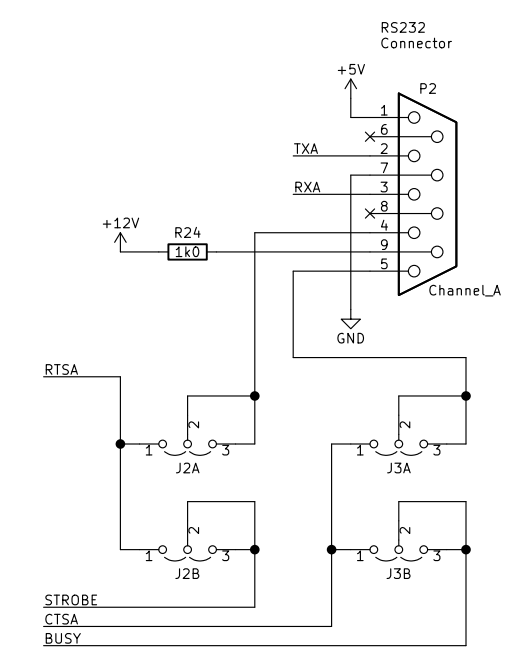
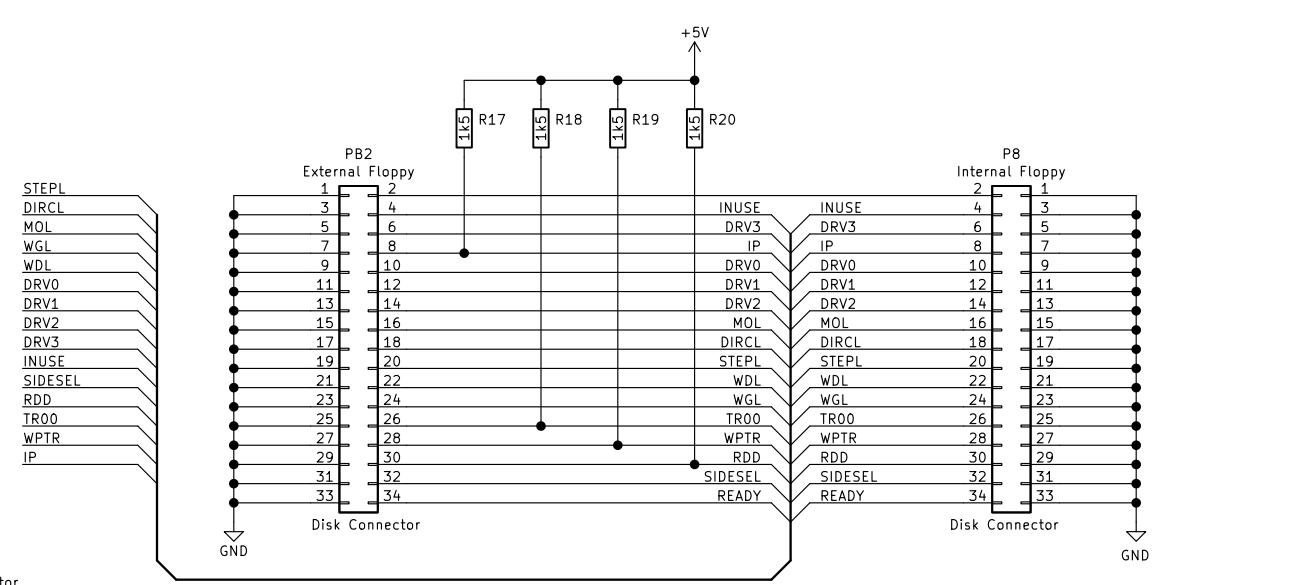
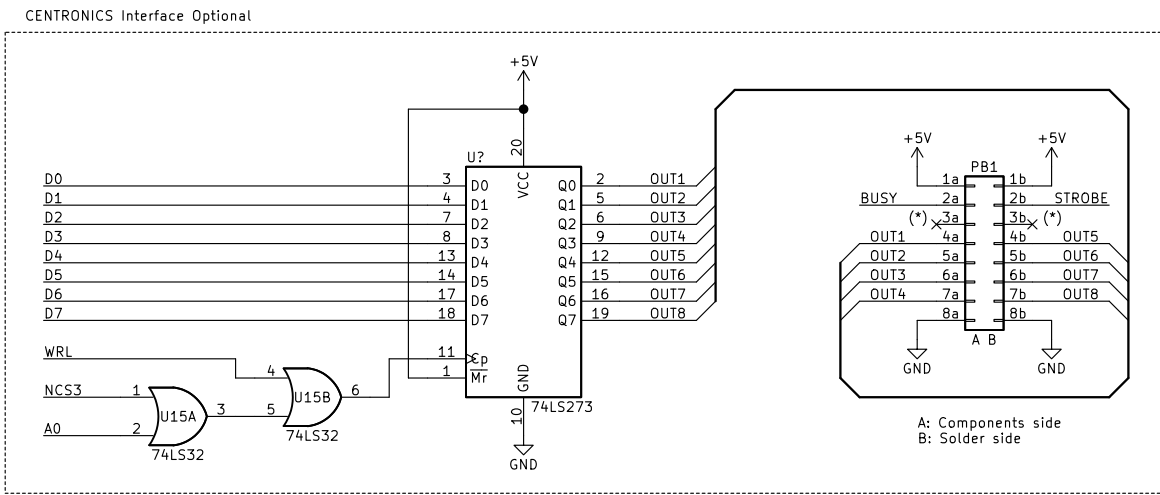
NOTE 2: All resistors are 1/4W, 5%



(Page 2) NSC3

(Page 2) RESINL

(See Note 1)



NOTE 1: All resistors are 1/4W, 5% unless specified.
NOTE 2: R31 and R32 are 1/4W, 1%.
NOTE4: (*) means reference zone.

Redrawn from scans available on the Internet
To be checked and amended in line with the "large" board version.

